

ADDENDUM NO. 1
Notice to Bidders
for
Paving Replacement Services
Bid #7323

For

Norwich Public Utilities

ADDENDA ISSUED: January 25, 2012

This addendum forms part of the contract documents and modifies the original specifications dated January 20, 2012.

This Addendum is a modification of the Documents as follows:

1. Revised Bid Form below, all reference to Owner supplied materials has been removed.
2. Description of Work section and Materials section has been revised to remove all reference to Owner supplied materials. See revised pages 15-16 below.
3. Description of Work section refers to attached detail. See below for reference to these details/drawings.

Please sign below to acknowledge receipt of Addendum.

BID FORM
PAVEMENT
REPLACEMENT SERVICES
NORWICH, CONNECTICUT

TO: Purchasing Agent of the
City of Norwich
City Hall
Norwich, Connecticut 06360

FROM: _____

The undersigned, having familiarized (himself, itself, themselves) with the existing conditions on the Project Site affecting the cost of the work, and with the Contract Documents for the PAVEMENT REPLACEMENT SERVICES hereby proposes to furnish all supervision, technical personnel, labor, equipment, tools, appurtenances, services, materials and anything else necessary, including utility and transportation services required to perform and complete this Contract, all in accordance with the Contract Documents, at and for the unit prices for work in place for the following work items. Unit prices are to be written in both words and figures. In case of discrepancy, the unit price shown in words will govern.

<u>ITEM</u>	<u>DESCRIPTION</u>	<u>UNIT</u>	<u>UNIT PRICE</u>
-------------	--------------------	-------------	-------------------

1A.	Crew cost (4 hour min.) to perform temporary pavement, repair, permanent pavement repair, processed gravel base, and bituminous concrete curbing for quantities less than the specified limits below. 8 HRS.		_____
-----	-----------------------------------------------------------------------------------------------------------------------------------------------------------------------------------------------------------------	--	-------

UNIT PRICE IN WORDS: _____

1B.	Crew cost (4 hour min.) to perform milling for quantities less than the specified limits below. 8 HRS.		_____
-----	--------------------------------------------------------------------------------------------------------	--	-------

UNIT PRICE IN WORDS: _____

2A. Processed Gravel Base 10 C.Y. _____
(Less Than 25 C.Y.
or 100 l.f. of trench)

UNIT PRICE IN WORDS: _____

2B. Processed Gravel Base 75 C.Y. _____
(25-150 C.Y.)

UNIT PRICE IN WORDS: _____

2C. Processed Gravel Base 150 C.Y. _____
(Greater Than 150 C.Y.)

UNIT PRICE IN WORDS: _____

3A. Temporary Pavement 25 S.Y. _____
(Less Than 50 S.Y.
or 100 l.f. of trench)

UNIT PRICE IN WORDS: _____

3B. Temporary Pavement 125 S.Y. _____
(50-200 S.Y.)

UNIT PRICE IN WORDS: _____

3C. Temporary Pavement 200 S.Y. _____
(Greater Than 200 S.Y.)

UNIT PRICE IN WORDS: _____

6A-2. Milling – 1-1/2” –
Local Road
(50-200 S.Y.)

150 S.Y.

UNIT PRICE IN WORDS: _____

6A-3. Milling – 1-1/2” –
Local Road
(Greater Than 200 S.Y.)

200 S.Y.

UNIT PRICE IN WORDS: _____

6B-1. Milling – 2” –
State Road
(Less Than 50 S.Y.)

500 S.Y.

UNIT PRICE IN WORDS: _____

6B-2. Milling – 2” –
State Road
(50-200 S.Y.)

200 S.Y.

UNIT PRICE IN WORDS: _____

6B-3. Milling – 2” –
State Road
(Greater Than 200 S.Y.)

200 S.Y.

UNIT PRICE IN WORDS: _____

7A-1. Overlay – 1-1/2” –
Local Road
(Less Than 50 S.Y.)

250 S.Y.

UNIT PRICE IN WORDS: _____

7A-2. Overlay – 1-1/2” –
Local Road
(50-200 S.Y.)

150 S.Y.

UNIT PRICE IN WORDS: _____

7A-3. Overlay – 1-1/2” –
Local Road
(Greater Than 200 S.Y.)

200 S.Y.

UNIT PRICE IN WORDS: _____

7B-1. Overlay – 2” –
State Road
(Less Than 50 S.Y.)

500 S.Y.

UNIT PRICE IN WORDS: _____

7B-2. Overlay – 2” –
State Road
(50-200 S.Y.)

200 S.Y.

UNIT PRICE IN WORDS: _____

TECHNICAL SPECIFICATION
PAVEMENT REPLACEMENT SERVICES

1.00 DESCRIPTION

This work includes the replacement of existing bituminous concrete pavement associated with the installation of utilities in the Norwich Public Utilities system.

All patches shall be squared up to nearest ½ foot and be made to have 90 degree corners.

All cold patch must be removed prior to permanent patch.

Location of Work:

The project area is all streets in the City of Norwich and surrounding towns in which the City of Norwich Public Utilities has utilities installed.

Description of Work:

Below is a list of the items of work required to be performed under this contract and a description of each:

Item 1-Crew Cost

This item consists of the Contractor providing the necessary labor and equipment to satisfactorily complete the specific items of work stated in the bid form.

Item 2-Processed Gravel Base

This item of work includes placing processed gravel base to the compacted thickness shown on the attached detail, prior to placement of permanent pavement. The processed gravel base shall be placed on the prepared subgrade prior to placing of the pavement.

Item 3-Temporary Pavement

This item of work includes the immediate replacement of pavement, which has been removed for the installation of utilities and appurtenances or other underground installations. The temporary pavement shall consist of 2" compacted bituminous concrete, placed on the designated thickness of compacted gravel base in accordance with the limits and to the dimensions shown on the attached detail, specified herein, or as directed by the Owner.

Item 4 – Permanent Trench Pavement

Permanent Pavement Replacement for Trench shall consist of a two course, four (4") inch (local roads) or a five coarse, nine (9") inch (state roads) compacted thickness bituminous concrete surface course, constructed on the compacted thickness processed gravel base in the locations and in accordance with the attached details or as directed by the Owner.

Item 5 – Bituminous Concrete Lip curbing

The work under this Section shall be the construction of bituminous concrete lip curbing consisting of machine laid bituminous concrete constructed on the edge of the pavement in conformance with these specifications and the attached details and as directed by the Owner.

Item 6 – Milling

The work under this section includes furnishing all labor, equipment and performing all operations in connection with milling existing pavement surfaces.

Item 7 – Overlay

Overlay shall consist of a one course compacted thickness bituminous concrete surface course, constructed over a milled surface or existing pavement.

2.00 MATERIALS

Materials:

Below are the material specifications associated with the applicable items of work.

Item 1-Crew Cost

The crew shall be comprised of all labor and equipment needed to perform the specified contract work including but not limited to superintendent, foreman, laborer, excavator, backhoe, laborer, truck drivers, paving equipment, trucking, milling equipment, sawcutting equipment, flaggers for contractor vehicles and additional tools needed to perform the specified items.

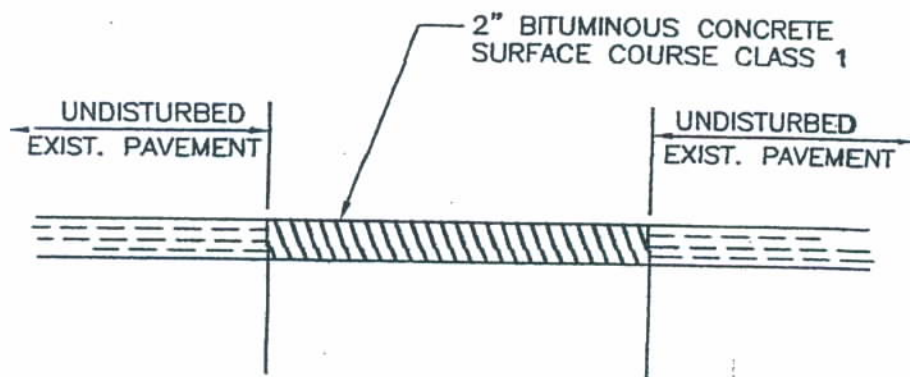
Item 2-Processed Gravel Base

Gravel base under pavement shall conform to the requirements of Subarticle M.05.01, 1, M.05.01-2, M.05.01-3 of the standard specifications, Form 814A.

Item 3-Temporary Pavement

Bituminous concrete shall conform to the requirements of Section M.04 of the Standard Specifications for surface course, Class 1.

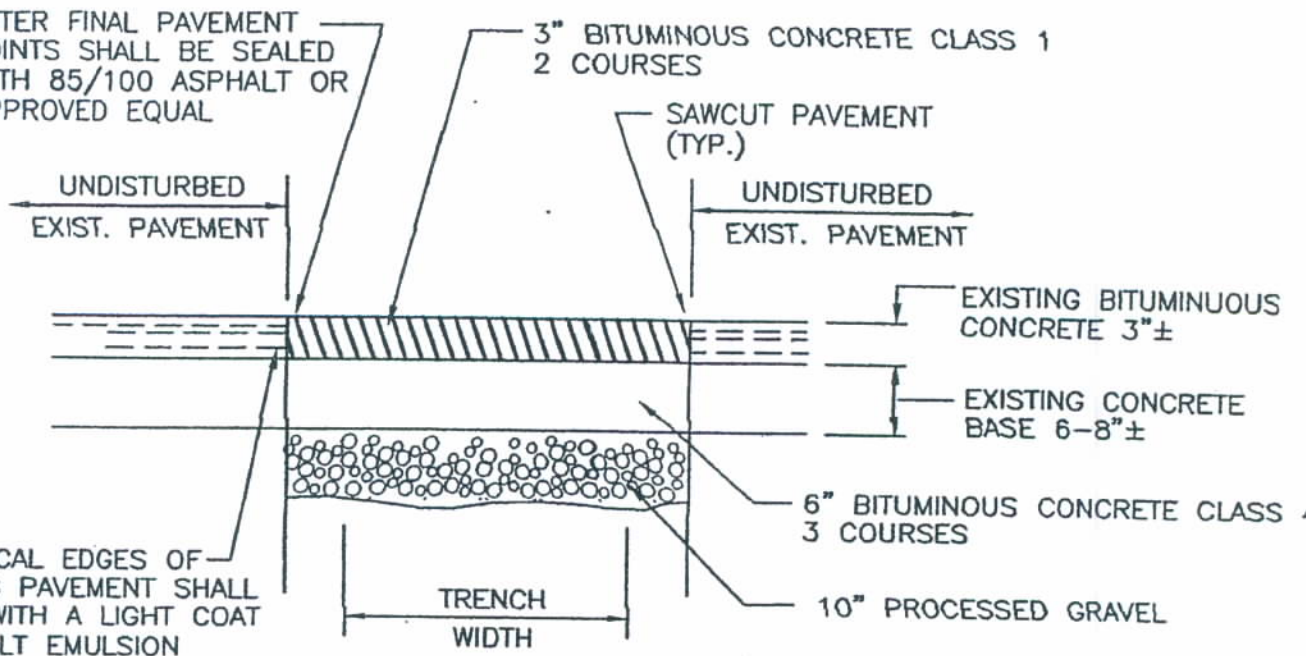
Item 4 – Permanent Trench Pavement



TEMPORARY PAVEMENT
(STATE & LOCAL ROAD)
NOT TO SCALE

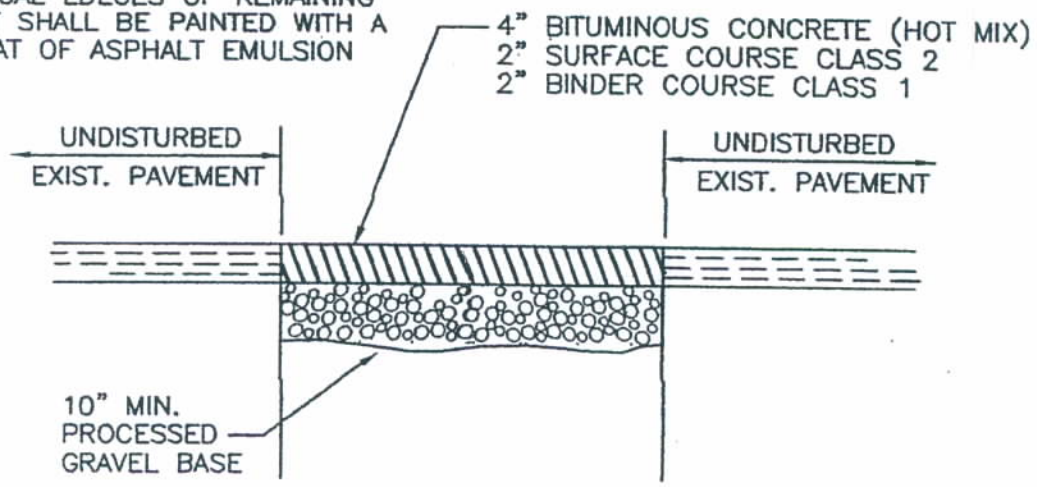
PAVEMENT
REPLACEMENT SERVICES

AFTER FINAL PAVEMENT JOINTS SHALL BE SEALED WITH 85/100 ASPHALT OR APPROVED EQUAL



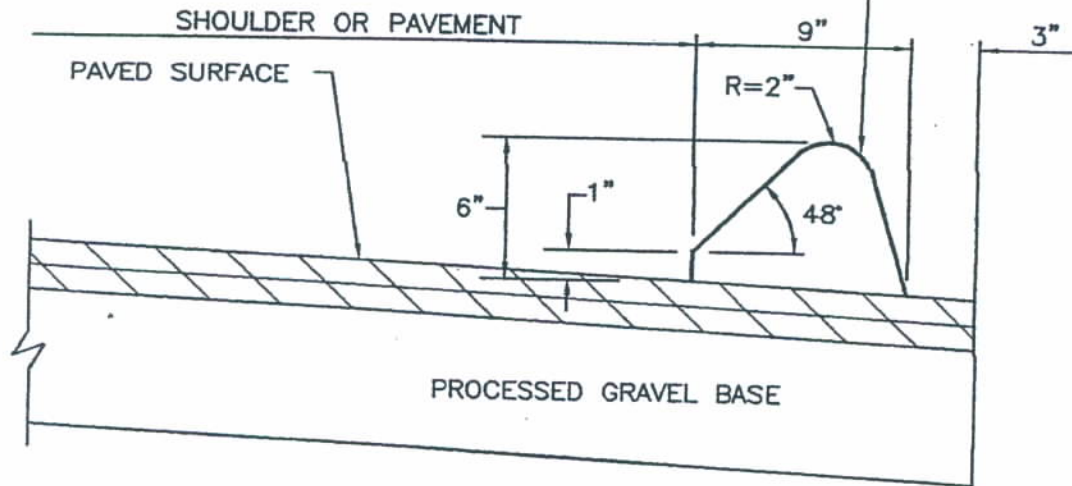
PERMANENT PAVEMENT REPAIR
(STATE ROAD)
 NOT TO SCALE

NOTE:
 ALL VERTICAL EDGES OF REMAINING PAVEMENT SHALL BE PAINTED WITH A LIGHT COAT OF ASPHALT EMULSION



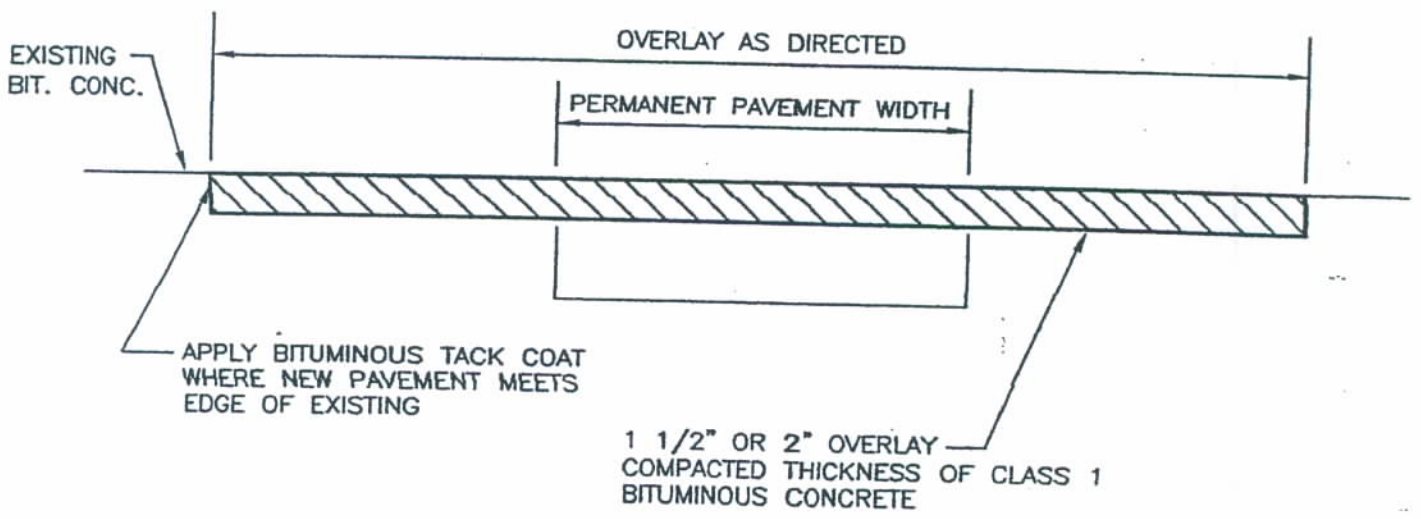
PERMANENT PAVEMENT REPAIR
(LOCAL ROAD)
 NOT TO SCALE

BITUMINOUS CURBING PAYMENT LIMIT = 5'-0"
FOR 6" SERVICE LATERAL



BITUMINOUS CONCRETE LIP CURBING
NOT TO SCALE

PAVEMENT
REPLACEMENT SERVICES



OVERLAY DETAIL

NOT TO SCALE

PAVEMENT
REPLACEMENT SERVICES